

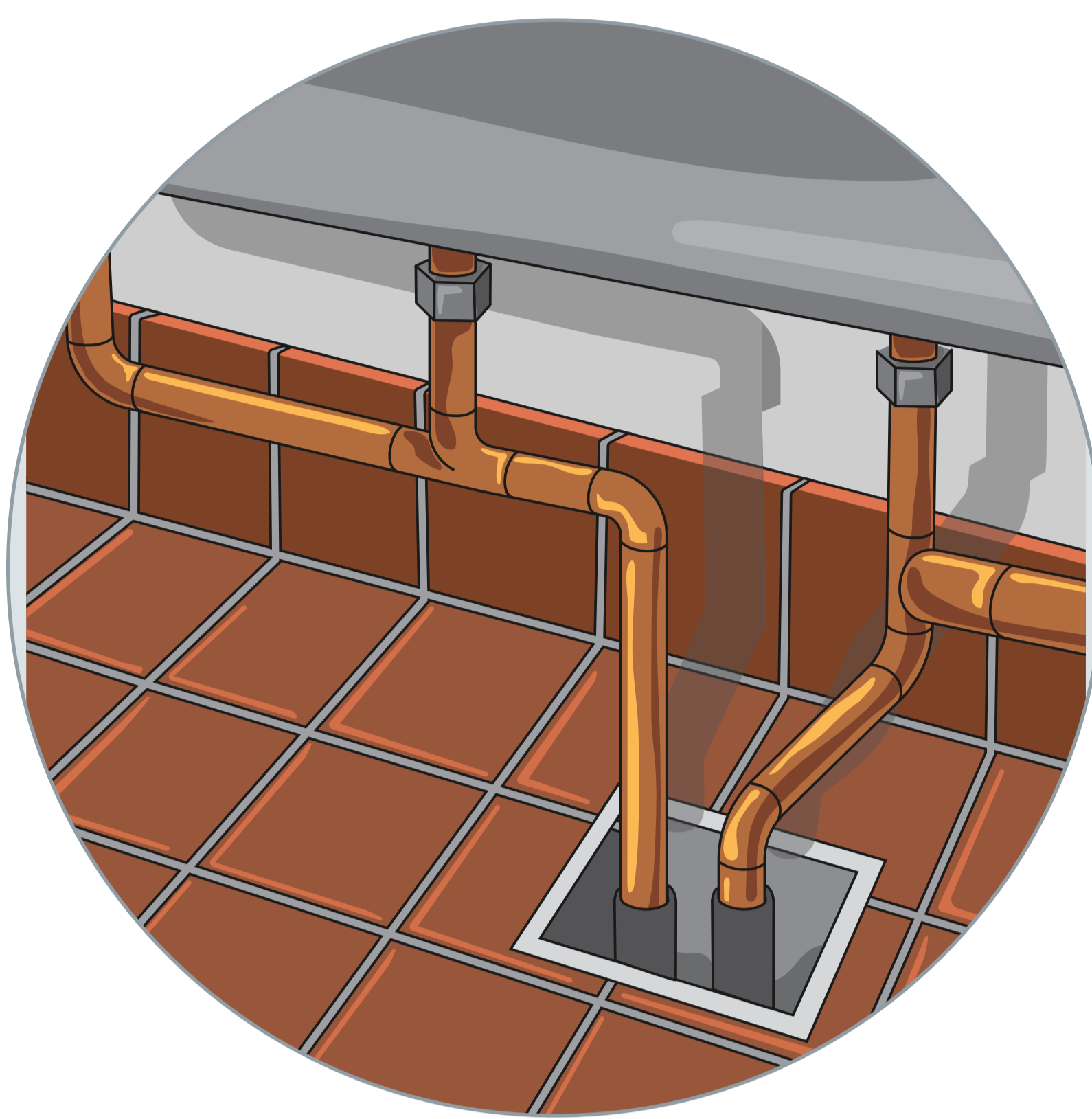


Coca-Cola
freestyle.

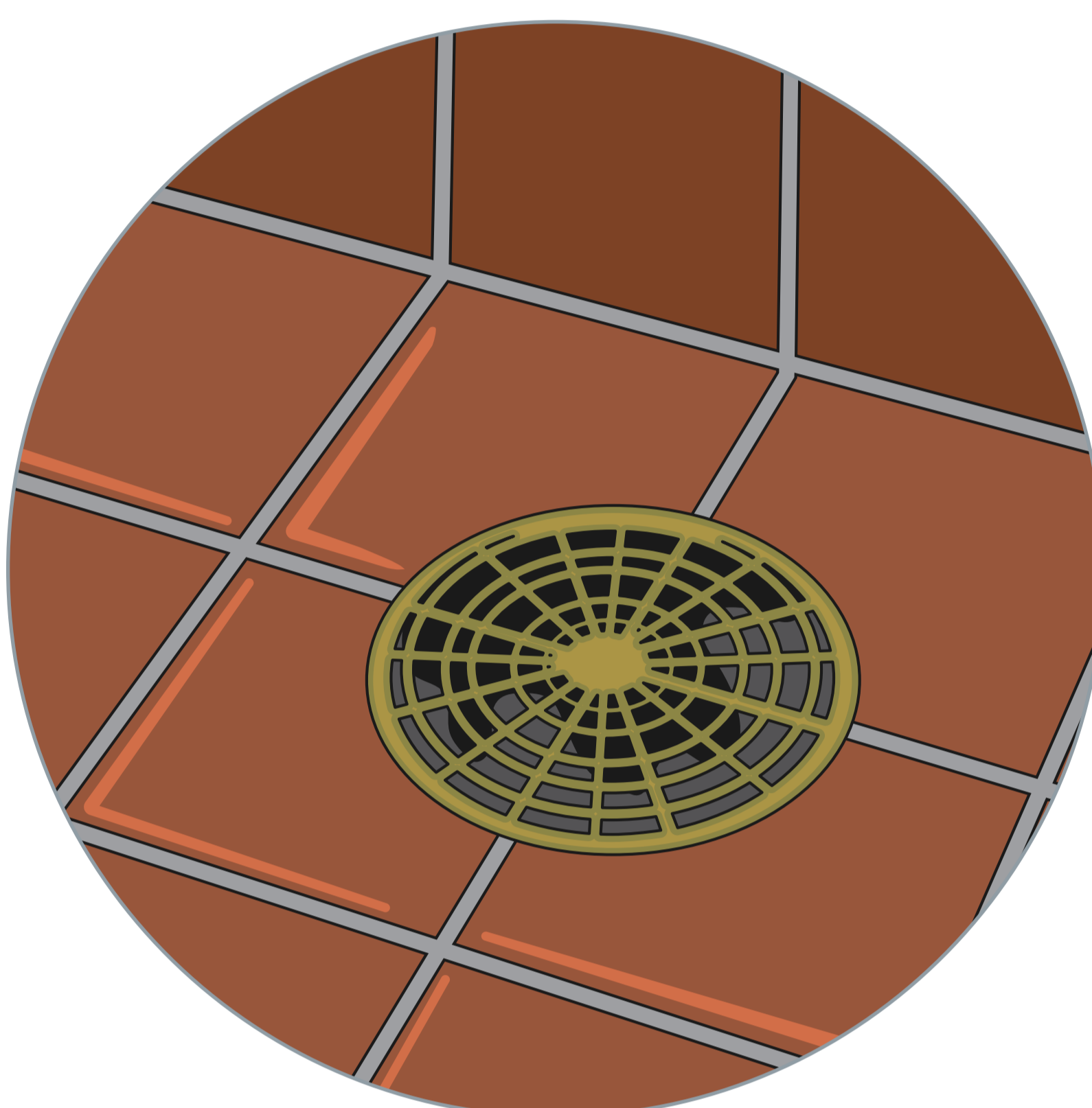
The dispenser is leaking

TROUBLESHOOTING GUIDE

HERE IS WHAT TO DO!



Is the drain hose in the drain?



Is the floor drain clogged?

IF YES, call a plumber.



Is the dispenser drain clogged?

IF YES, clear the drain using
the drain cleaning brush.

STILL NOT RESOLVED, CONTACT US

Visit the web portal at

myCoke.com/ESPortal

Or contact a dedicated
Coca-Cola Service Technician at

IN THE U.S.

1 (800) 241-COKE (2653)

IN CANADA

1 (800) 318-COKE (2653)

Coca-Cola
freestyle.